

Conveyor system FB175

F45

FT

FS

FL

FLP

F65

FM

FMP

F85

F85P

FH

FK

FKP

FB140

FB175

FB295

SPIRAL

FW

FLX

FMX

FHX

FBX175

FBX295

ACC

CA

FC

TOOL

IDX

Contents

Chains 3

Conveyor beam 4

End drive units 6

Idler unit 8

Horizontal plain bends 10

Vertical bends 12

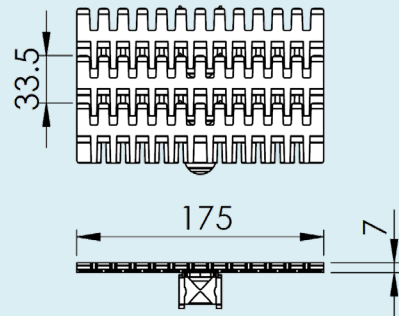
Chains



Plain chain

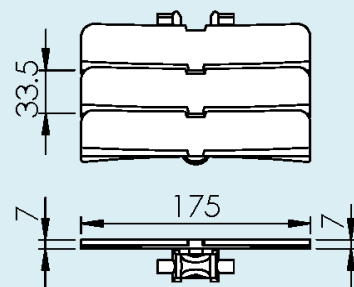
FBTP 3A180K Plain chain
Length 3 mt

F5122767 Plain link



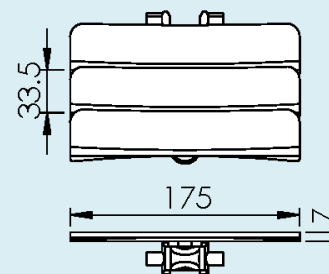
FBTP 3A175 Plain chain
Length 3 mt

FBTL 175 Plain link



FBTP 3A175A Plain chain
Length 3 mt

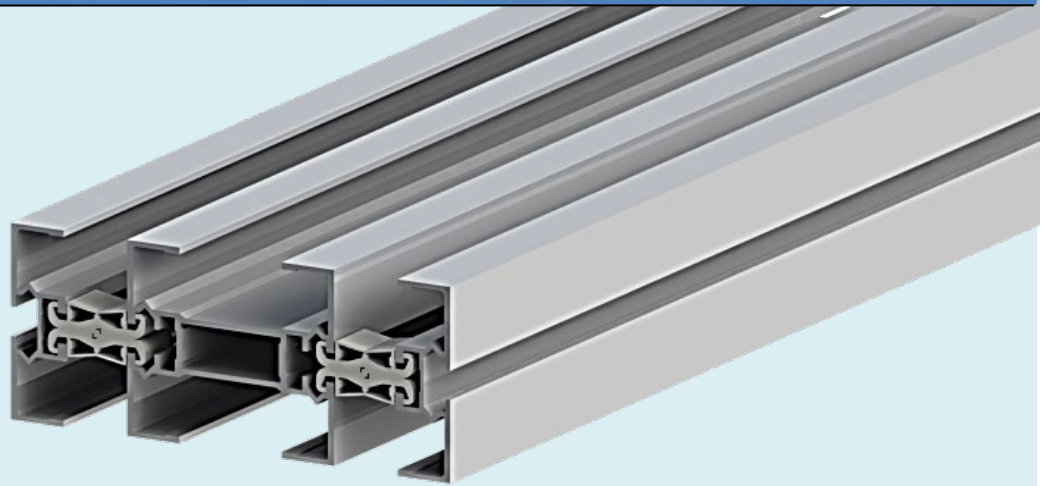
FBTL 175A Plain link



Chains

			F45
			FT
			FS
			FL
			FLP
			F65
			FM
			FMP
			F85
			F85P
			FH
			FK
			FKP
			FB140
			FB175
			FB295
			SPIRAL
			FW
			FLX
			FMX
			FHX
			FBX175
			FBX295
			ACC
			CA
			FC
			TOOL
			IDX
<p><i>Friction top chain</i></p> <p>FBTP 3A175F Plain chain Length 3 mt</p> <p>FBTL 175F Plain link</p>			
<p>FBTP 3A175AF Plain chain Length 3 mt</p> <p>FBTL 175AF Plain link</p>			
<p>See Note Roller top chain</p> <p>FBTL 175X46R Plain link</p> <p>Note. This type of chain requires minimum .One plain link between every cleated link.</p>			
<p><i>Tools and accessories</i></p> <p>FBTT 13X16 Plastic pivot</p> <p>FMTT 13X16 Plastic pivot</p> <p>FMTD 6X50 Steel pin</p> <p>FBMJ 6P Pin insertion tool</p> <p>FBMJ 6 Pin insertion tool</p> <p>FDSS 450 Silicone-based lubricant</p>		<p>FBTT 13X16</p> <p>FMTD 6X50</p> <p>FBMJ 6P</p> <p>FBMJ 6</p> <p>FMTT 13X16</p> <p>FDSS 450</p>	

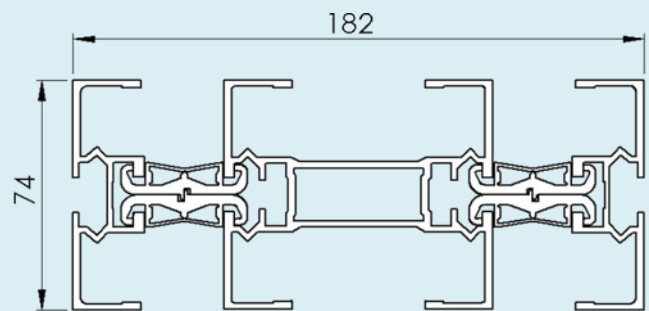
Conveyor beam



Beam

FBCB 3A175

Length 3 mt



FBCB 3A85

Length 3 mt

FBCB 3AH

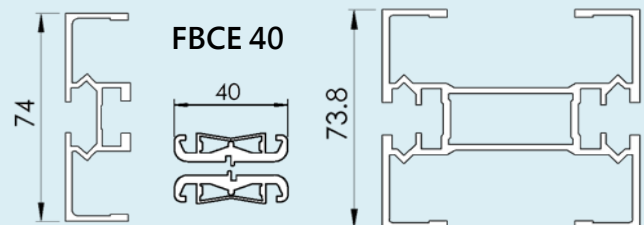
Length 3 mt

FBCE 40

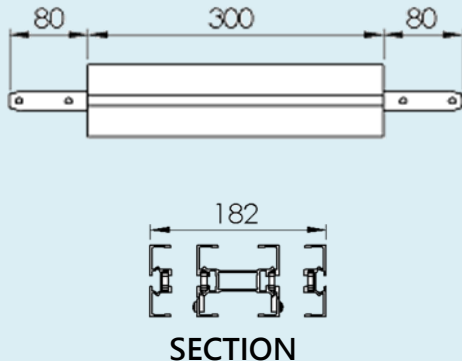
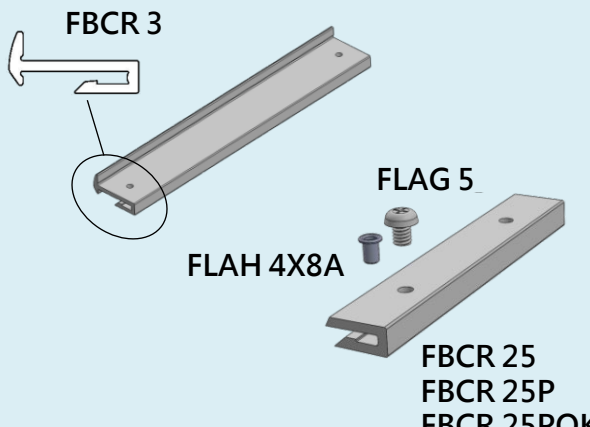
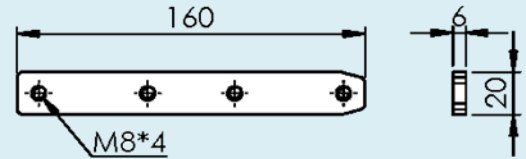
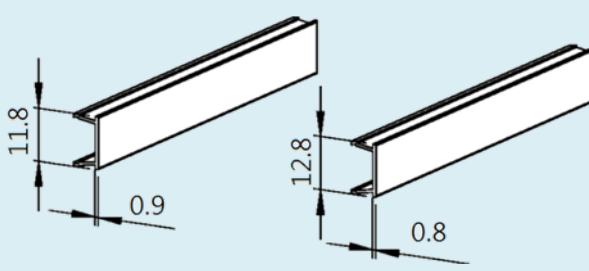
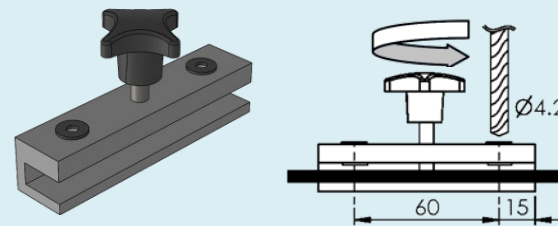
Snap-fit clip kit for
outer beam

FBCB 3A H

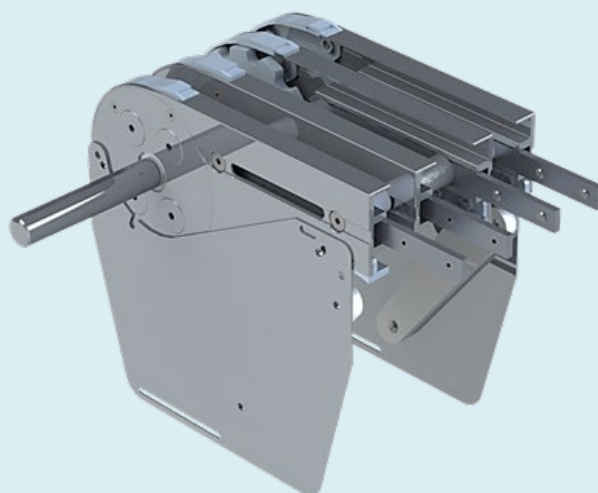
FBCB 3A85



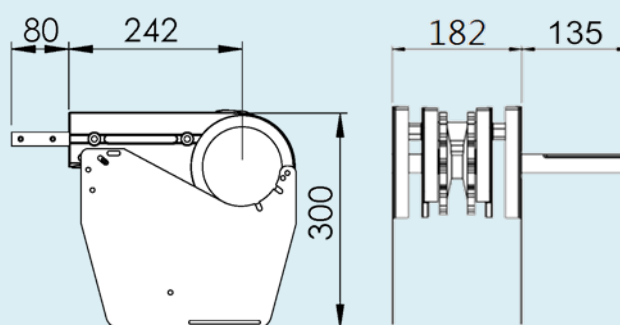
Conveyor beam

<p>Beam section for chain installation</p> <p>FBCC 300A175</p> <p>Beam section for chain installation Including connecting strips and screws</p>		<p>F45</p> <p>FT</p> <p>FS</p> <p>FL</p> <p>FLP</p> <p>F65</p> <p>FM</p> <p>FMP</p>
<p>Slide rail</p> <p>FBCR 3 Length 25 m FBCR 25 HDPE Gray-black FBCR 25P HDPE White FBCR 25POK PVDF White POK</p> <p>FLAH 4X8A Aluminium rivet FLAG 5 Plastic screw</p>		<p>F85</p> <p>F85P</p> <p>FH</p> <p>FK</p> <p>FKP</p> <p>FB140</p> <p>FB175</p> <p>FB295</p>
<p>Connecting strip with set screws</p> <p>FSCJ 6X160 H=20 mm Length 160 mm</p>		<p>SPIRAL</p> <p>FW</p> <p>FLX</p> <p>FMX</p> <p>FHX</p>
<p>T-slot cover</p> <p>FCAC 2 Aluminium Length 2 mt FCAC 3P Polyvinyl chloride Length 3 mt</p>		<p>FBX175</p> <p>FBX295</p> <p>ACC</p> <p>CA</p> <p>FC</p> <p>TOOL</p>
<p>F3920500 Drill fixture for slide rail</p>	<p>F3920500</p> 	<p>IDX</p>

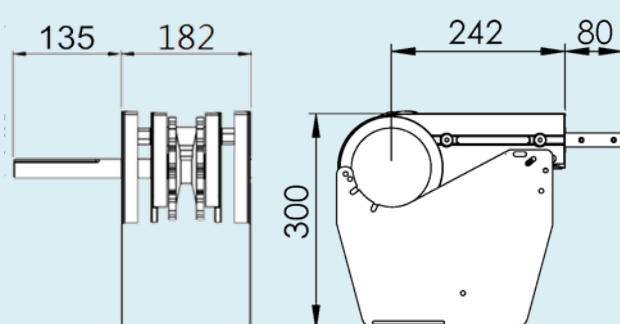
End drive units



FBEB 0A180LU Basic unit
Dia. 25mm
Transmission on left-hand side

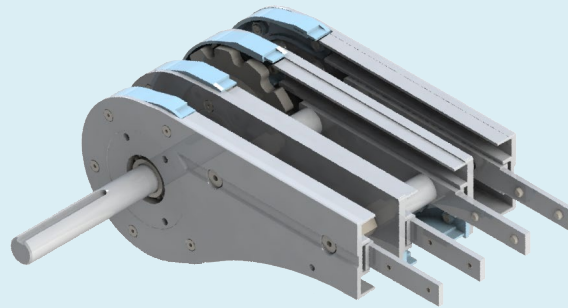


FBEB 0A180RU Basic unit
Dia. 25mm
Transmission on right-hand side



Maximum weight on conveyor : 300 kg
Maximum conveyor length : 30 M
Maximum conveyor speed : 60 M/min

End drive units



F45

FT

FS

FL

FLP

F65

FM

FMP

F85

F85P

FH

FK

FKP

FB140

FB175

FB295

SPIRAL

FW

FLX

FMX

FHX

FBX175

FBX295

ACC

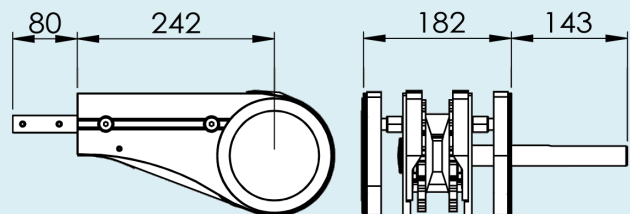
CA

FC

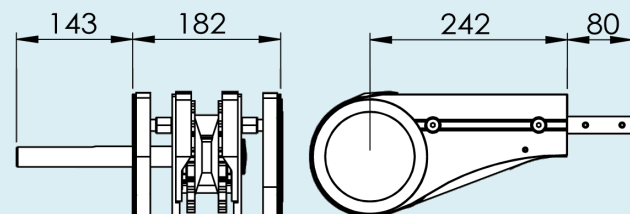
TOOL

IDX

FBEB 0A180LGU Basic unit
Dia. 25mm
Transmission on left-hand side

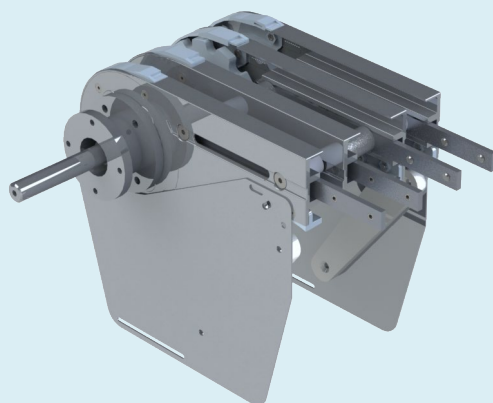


FBEB 0A180RGU Basic unit
Dia. 25mm
Transmission on right-hand side

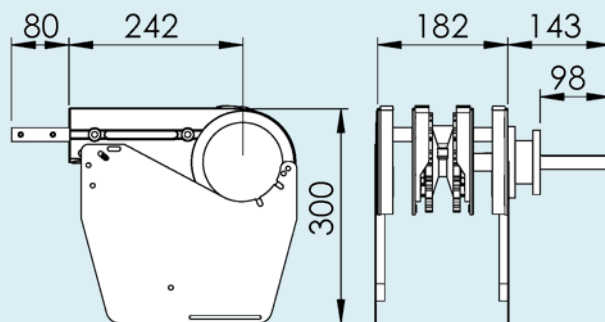


Maximum weight on conveyor : 300 kg
Maximum conveyor length : 30 M
Maximum conveyor speed : 60 M/min

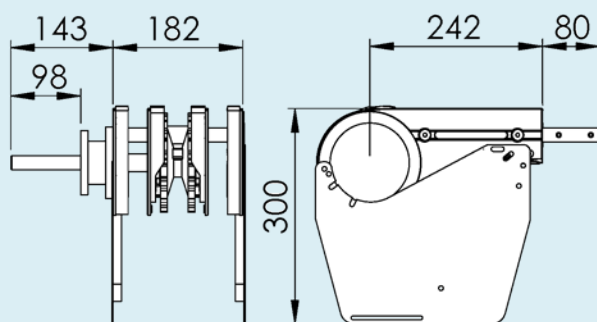
End drive units



FBEB 0A180HNLP Drive unit
 Dia. 25mm to 20mm Transmission on left-hand side
 SEW SA37
 SEW WA 30
 SEW WA 20

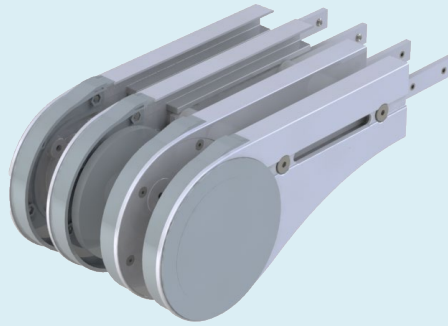


FBEB 0A180HNRP Drive unit
 Dia. 25mm to 20mm Transmission on right-hand side
 SEW SA37
 SEW WA 30
 SEW WA 20



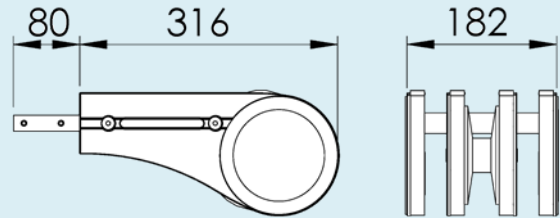
Maximum weight on conveyor : 300 kg
 Maximum conveyor length : 30 M
 Maximum conveyor speed : 60 M/min

Idler end units



FBEJ 180

Idler end unit



F45

FT

FS

FL

FLP

F65

FM

FMP

F85

F85P

FH

FK

FKP

FB140

FB175

FB295

SPIRAL

FW

FLX

FMX

FHX

FBX175

FBX295

ACC

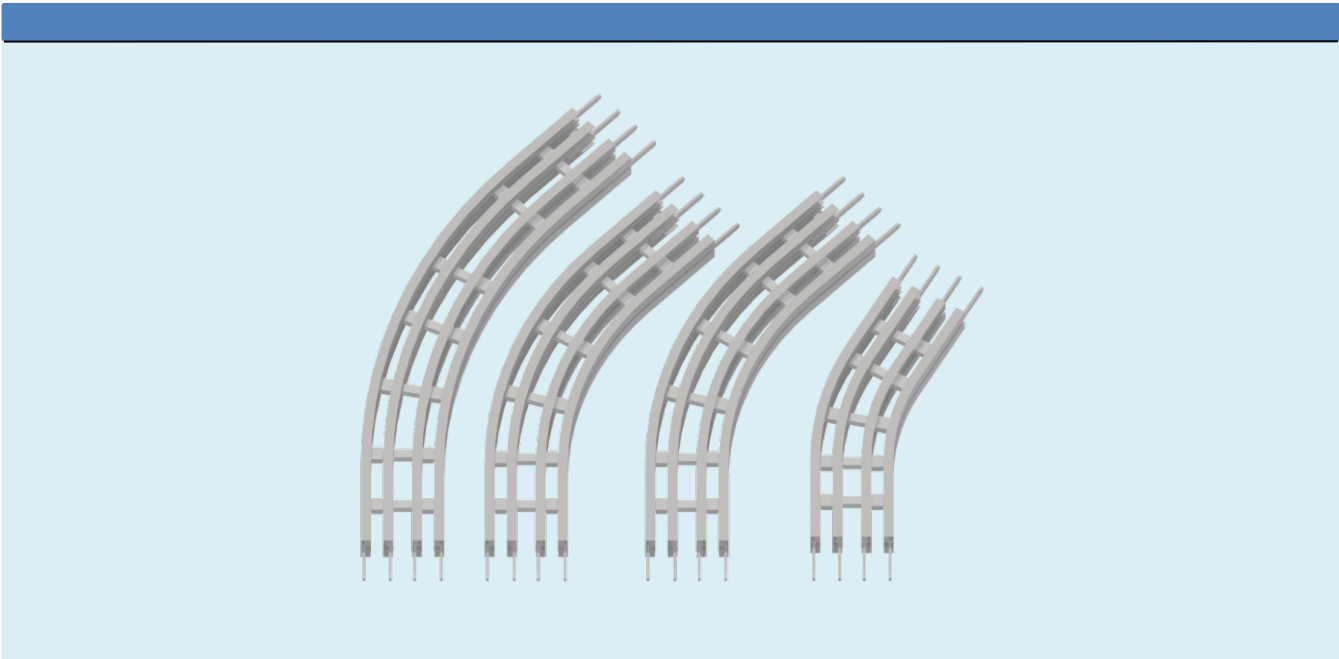
CA

FC

TOOL

IDX

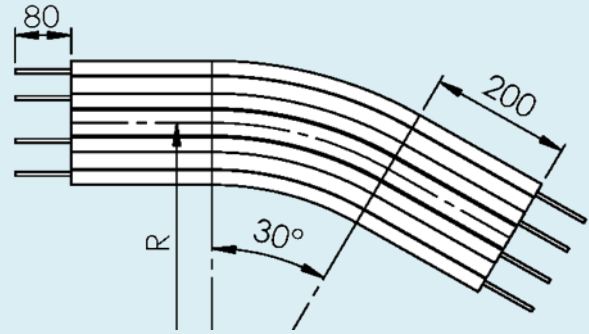
Horizontal plain bends



Horizontal plain bends

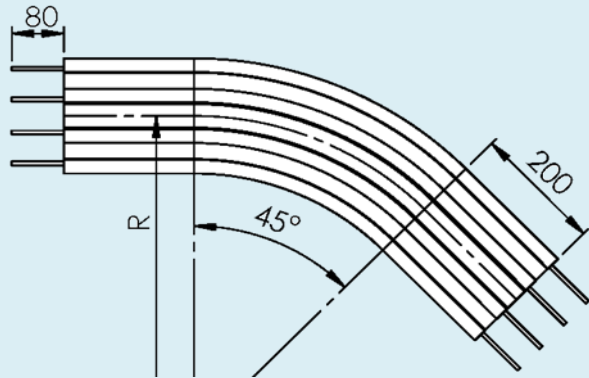
Horizontal plain bend, 30°
Radius to centre of beam:

FBBP 30A175R500 R=500 mm
FBBP 30A175R700 R=700 mm
FBBP 30A175R1000 R=1000mm



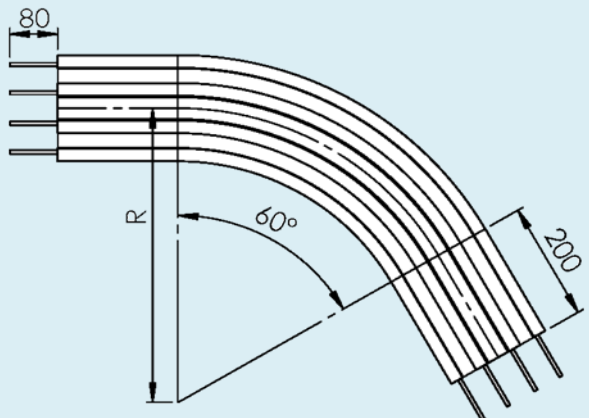
Horizontal plain bend, 45°
Radius to centre of beam:

FBBP 45A175R500 R=500 mm
FBBP 45A175R700 R=700 mm
FBBP 45A175R1000 R=1000mm



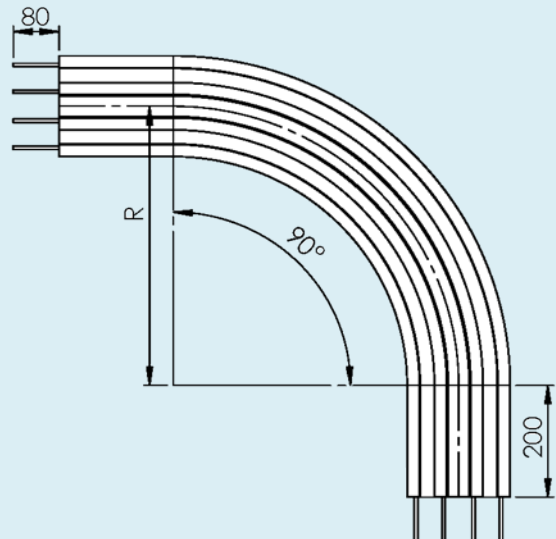
Horizontal plain bend, 60°
Radius to centre of beam:

FBBP 60A175R500 R=500 mm
FBBP 60A175R700 R=700 mm
FBBP 60A175R1000 R=1000mm



Horizontal plain bend, 90°
Radius to centre of beam:

FBBP 90A175R500 R=500 mm
FBBP 90A175R700 R=700 mm
FBBP 90A175R1000 R=1000mm



F45

FT

FS

FL

FLP

F65

FM

FMP

F85

F85P

FH

FK

FKP

FB140

FB175

FB295

SPIRAL

FW

FLX

FMX

FHX

FBX175

FBX295

ACC

CA

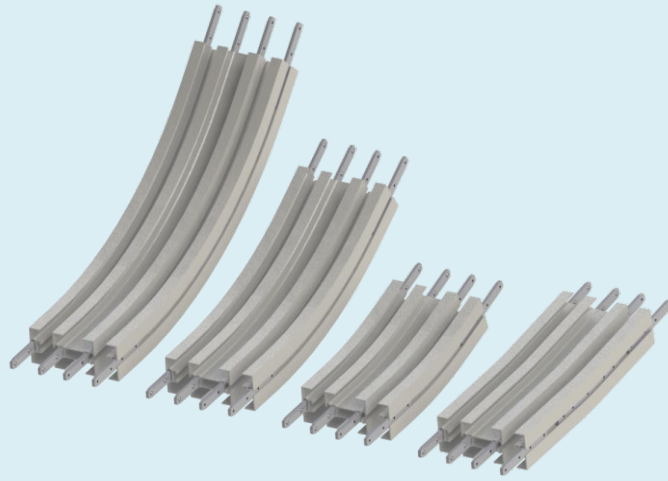
FC

TOOL

IDX

* Note: Special angles on request.

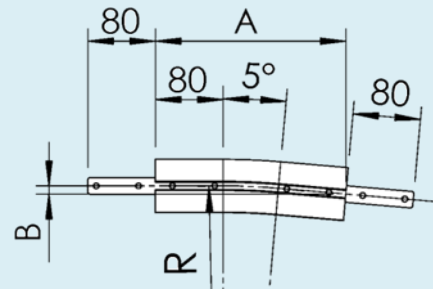
Vertical bends



Vertical bends

Vertical bend, 5°
Radius to centre of beam:

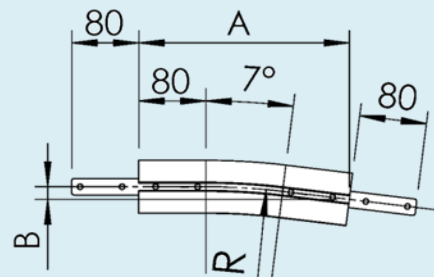
FBBV 5A175R750 R=750 mm



	R	A	B
FBBV 5A175R750	750	225	10

Vertical bend, 7°
Radius to centre of beam:

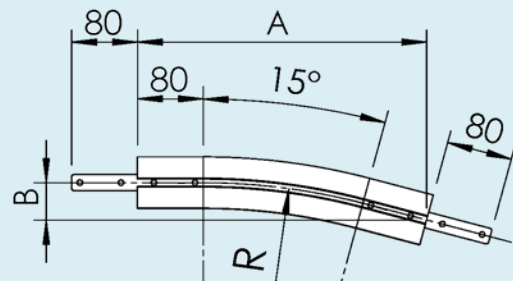
FBBV 7A175R750 R=750 mm



	R	A	B
FBBV 7A175R750	750	251	15

Vertical bend, 15°
Radius to centre of beam:

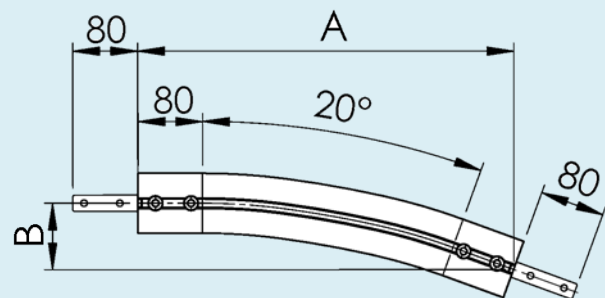
FBBV 15A175R750 R=750 mm



	R	A	B
FBBV 15A175R750	750	351	46

Vertical bend, 20°
Radius to centre of beam:

FBBV 20A175R750 R=750 mm



	R	A	B
FBBV 20A175R750	750	464	82

F45

FT

FS

FL

FLP

F65

FM

FMP

F85

F85P

FH

FK

FKP

FB140

FB175

FB295

SPIRAL

FW

FLX

FMX

FHX

FBX175

FBX295

ACC

CA

FC

TOOL

IDX

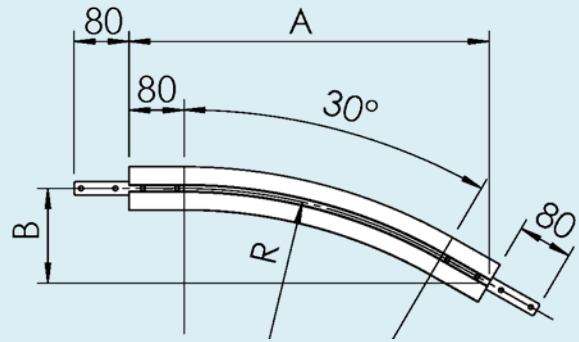
* Note: Special angles on request.

Vertical bends

Vertical bend, 30°
Radius to centre of beam:

FBBV 30A175R750 R=750 mm

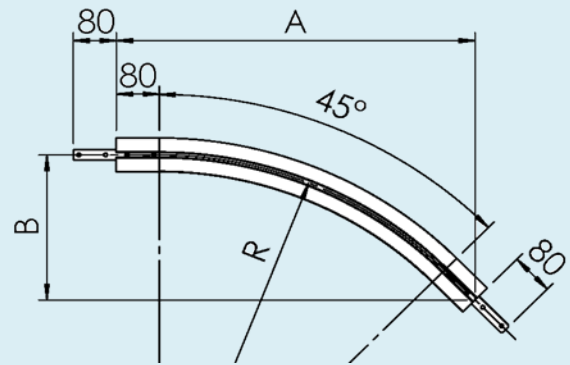
	R	A	B
FBBV 30A175R750	750	524	141



Vertical bend, 45°
Radius to centre of beam:

FBBV 45A175R750 R=750 mm

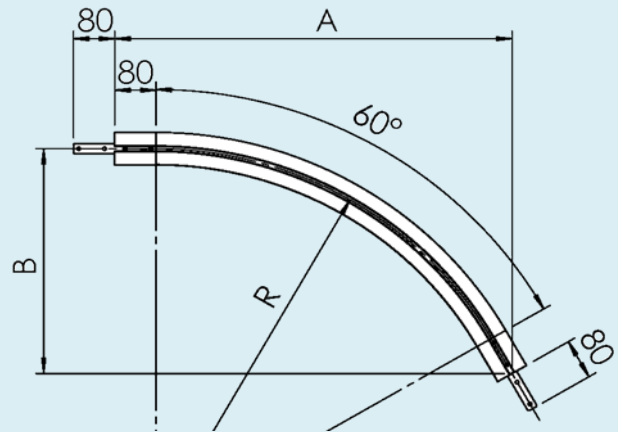
	R	A	B
FBBV 45A175R750	750	667	277



Vertical bend, 60°
Radius to centre of beam:

FBBV 60A175R750 R=750 mm

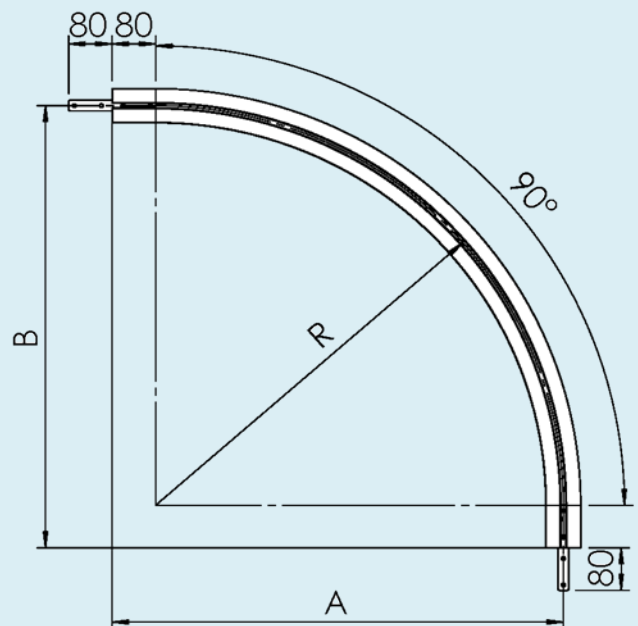
	R	A	B
FBBV 60A175R750	750	770	444



Vertical bend, 90°
Radius to centre of beam:

FBBV 90A175R750 R=750 mm

	R	A	B
FBBV 90A175R750	750	830	830

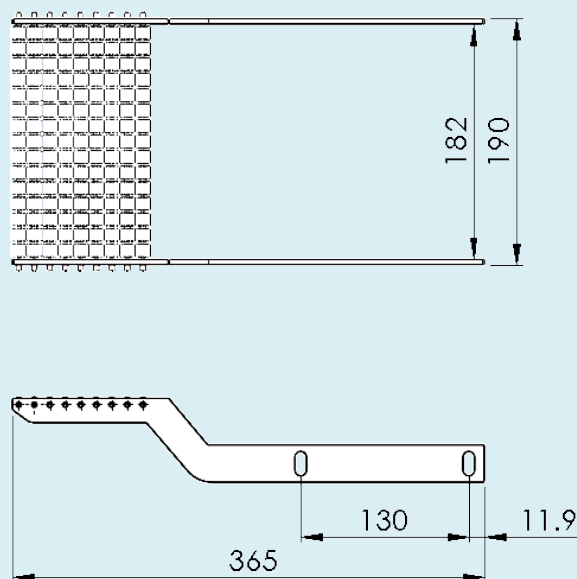


* Note: Special angles on request.

Bridge for FB175 conveyor

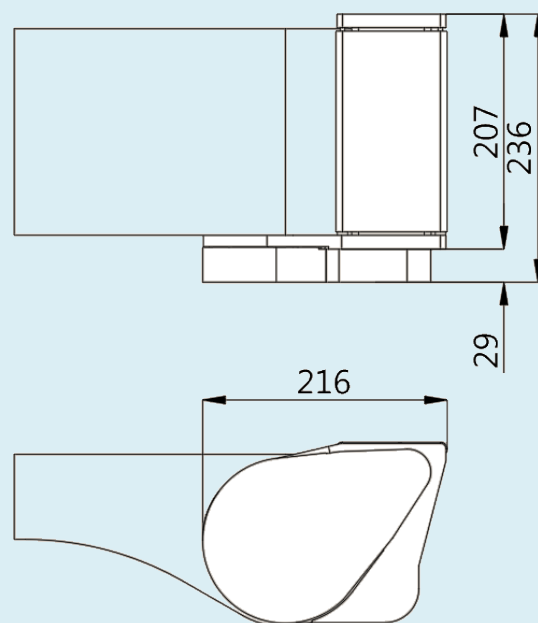
roller bridge

Bridge-FB175

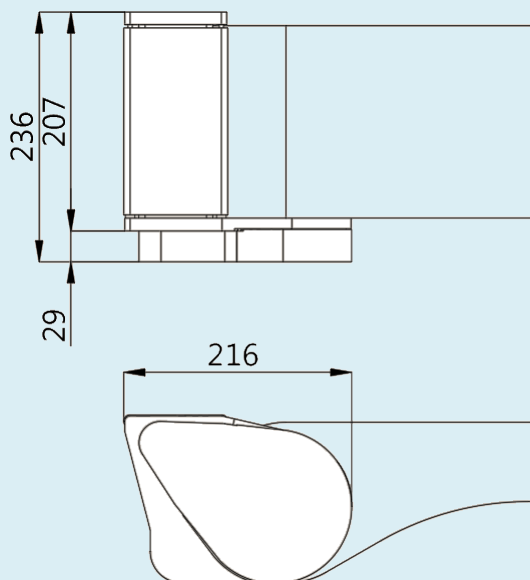


Belt bridge

FBEF 175DBL



FBEF 175DBR



F45

FT

FS

FL

FLP

F65

FM

FMP

F85

F85P

FH

FK

FKP

FB140

FB175

FB295

SPIRAL

FW

FLX

FMX

FHX

FBX175

FBX295

ACC

CA

FC

TOOL

IDX

